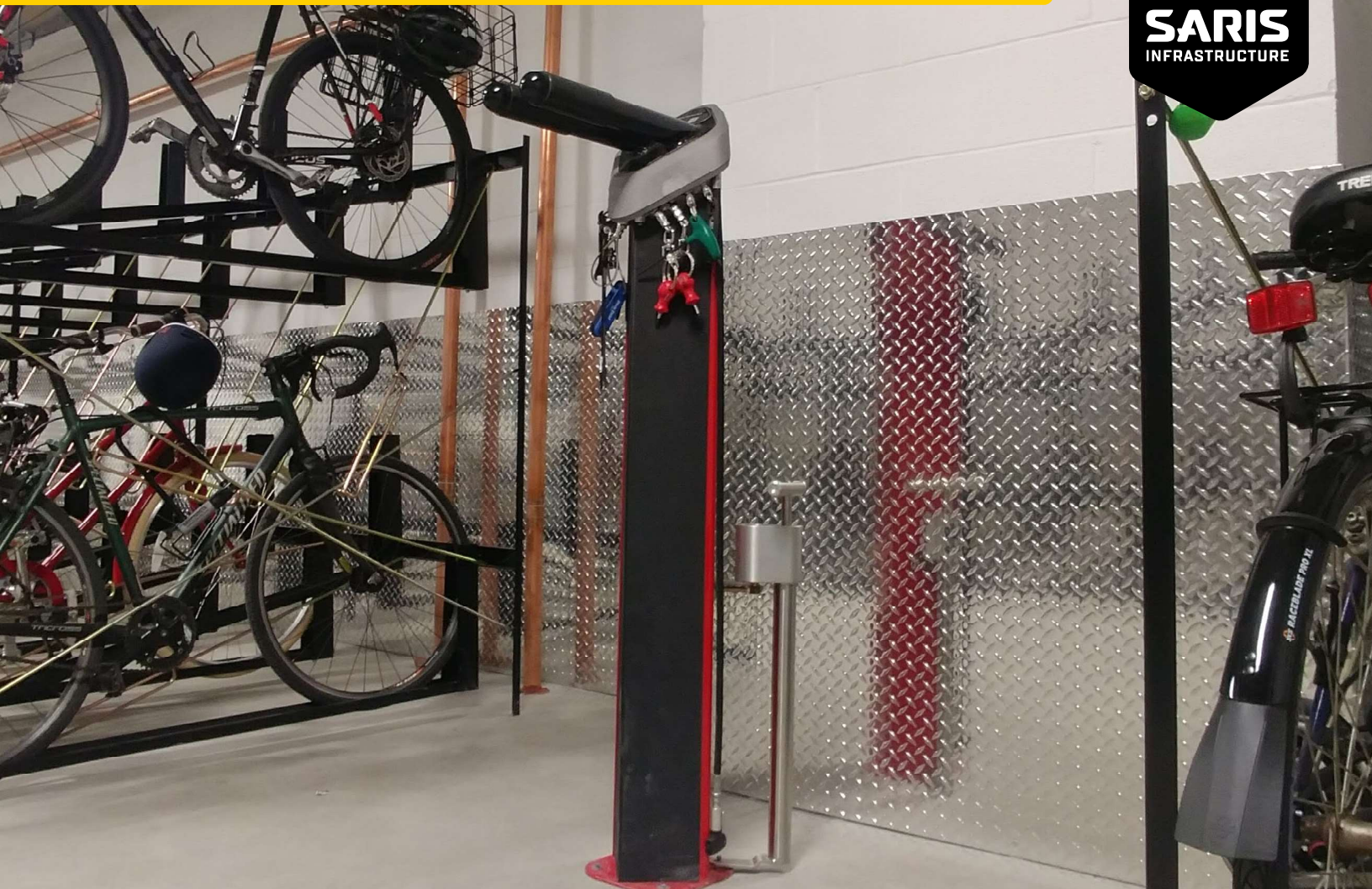


DELUXE PUBLIC WORK STAND



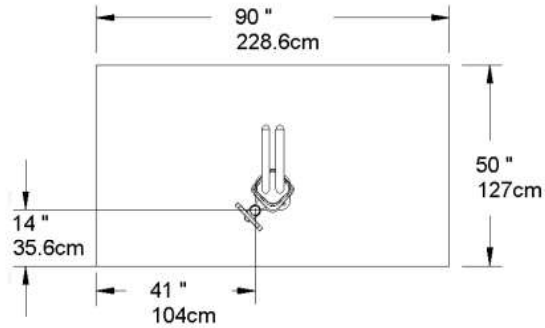
The Deluxe Public Work Stand includes all the tools necessary to perform basic bike repairs and maintenance at the park, on the trail, or in an apartment complex. Nine tools are securely attached via retractable cables to prevent tangling and provide cyclists with an easy, accessible means to keep their bikes rolling.

Product Specifications

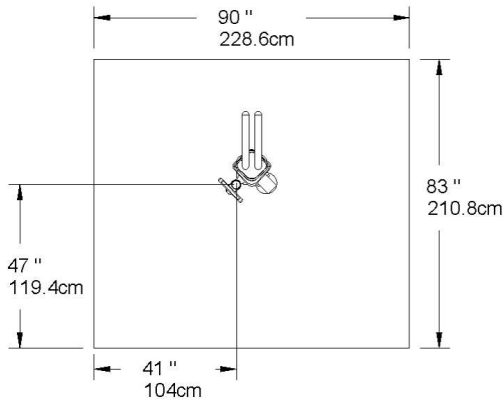
- Tools securely attach by retractable braided stainless steel cables
- Large surface area for custom branding/signage
- Designed to directly interface with Saris Infrastructure's High Security Pump and Wheel Chock attachments (sold separately)
- Long hose provides wide range of motion without touching the ground
- Impact- and UV-resistant front plate won't show wear and tear from pedal strikes
- ADA compliant design

Deluxe Public Work Stand

Recommended Setbacks



Recommended setbacks with integrated wheel chock

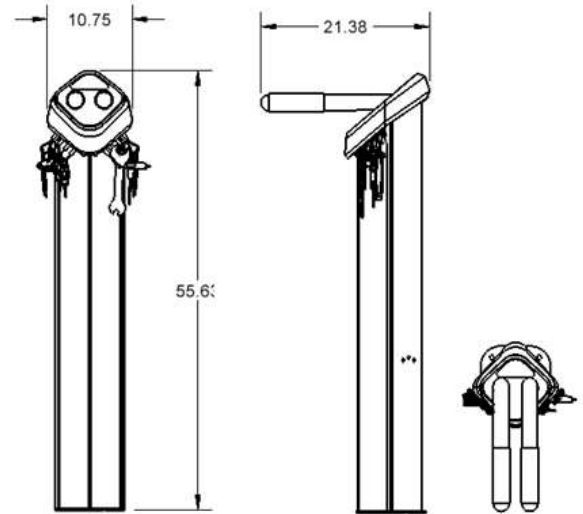


Included Tools

- Philips & standard screwdrivers
- Steel core tire levers (2)
- Headset/pedal wrench
- 8/10mm cone wrench
- 9/11mm cone wrench
- Torx T-25
- Hex key set



DPWS Line Drawing Deminisions



Stainless-steel aircraft cable



Thick-walled DOM tubing, Laser cut plate



Stainless-steel or powder coat finish



Installation hardware included



2 year warranty



Made in the USA

Dimensions

Model #	Finish with additional color options	Type of Mount	Weight	Length	Width	Height
26347BLK	Black Powder Coat	Flange	84 lbs.	10"	10"	55"
26347RED	Red Powder Coat	Flange	84 lbs.	10"	10"	55"
26347S	Stainless Steel	Flange	84 lbs.	10"	10"	55"
26347ORG	Orange Powder Coat	Flange	84 lbs.	10"	10"	55"
26347BLU	Blue Powder Coat	Flange	84 lbs.	10"	10"	55"
26347DGREN	Green Powder Coat	Flange	84 lbs.	10"	10"	55"
26347YLW	Yellow Powder Coat	Flange	84 lbs.	10"	10"	55"

Design files and additional product resources available online at sarinfrastructure.com