

# BIKE WASH STATION



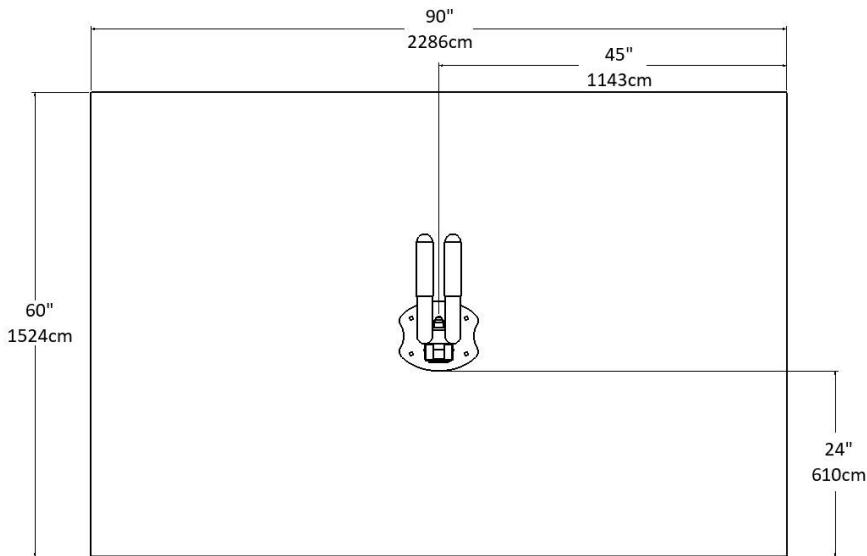
Keep your bike clean from mud and grease and help prevent prematurely wearing out components with this public-use Bike Wash Station. Perfect for mountain bike trail heads, bike parks and apartment buildings, the Wash station provides an excellent amenity for cyclists that can be easily plumbed in to a water connection.

## Product Specifications

- Universal bike mounting – hang by seat or top tube to keep bike stable while in use.
- Includes four cleaning brushes for various components, attached by braided stainless steel cable to prevent theft.
- Coiled hose with adjustable nozzle provides strong cleaning power.
- System can be plumbed from underneath or a side access can be connected to a standard garden hose.

# BIKE WASH STATION

## Recommended Setbacks



Stainless-steel aircraft cable



Thick-walled DOM tubing



Powder coat w/ eCoat Finish



Installation hardware included



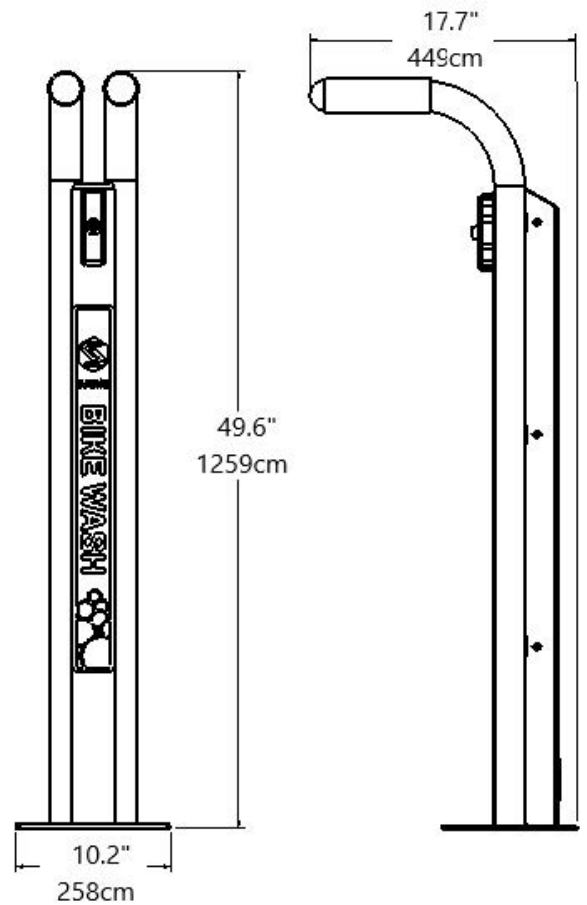
2 year warranty



Made in the USA

## Included Tools

- Drivetrain Brush
- Scrubber Brush
- Frame Brush
- Wheel Brush
- Coiled Water Hose w/ Nozzle



## Dimensions

Model #	Finish	Weight	Length	Width	Height
26702BLK	Black Powder Coat w/ eCoat	- lbs.	17.7"	10.2"	49.6"

Design files and additional product resources available online at [sarisinfrastructure.com](http://sarisinfrastructure.com)